



Scan the QR code to view
our Wall Planter fitting video

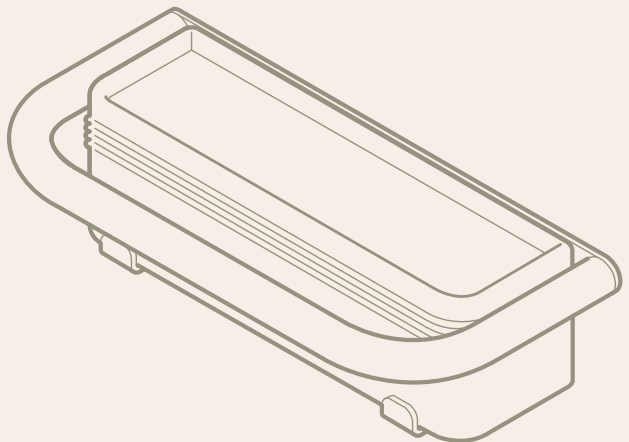
INNISIBLE®

CREATIONS

by PROCare

Wall Planter instructions

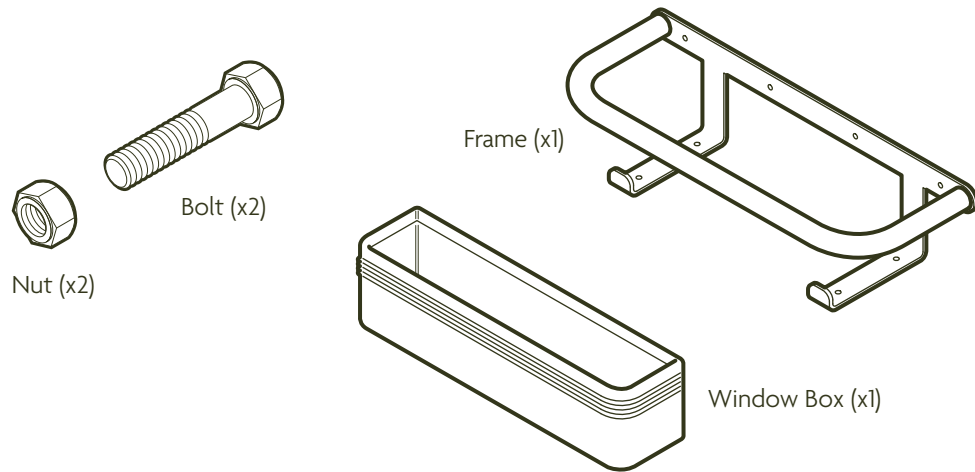
CONCRETE & MASONRY



Fitting your Wall Planter

Thank you for purchasing your Invisible Creations Wall Planter. If you want to install your Wall Planter onto a concrete or masonry wall, we're here to help. While it may seem like a tough task, it's simpler than you may think. We'll show how easy it can be to install your Wall Planter.

What's in your pack?



Tools you will need

Hammer drill & drill bits (for masonry)

Screwdriver(s)

Spirit level

Tape measure

PPE Equipment

Marker pen/pencil

Typical fixings (Not included)



Wall plugs



Screws

Choosing the right location

The first thing that you need to do is survey your location. Make sure that it will be a suitable place for a Wall Planter. Determine where you can mount your Wall Planter and check it is at the correct height for you.

Gather your equipment

Make sure to gather your tools and equipment. This may seem like an obvious step, but think about how many times you've started a project and had to make multiple trips back and forth to get this tool for that part. Let's take care of that from the beginning.

Fitting the Wall Planter



1 Position the Wall Planter frame in the desired location.



2 Using the spirit level, ensure the Wall Planter frame is level.



3 Mark the 4 holes in the back of the frame on the wall using your marker.



4 Using tape, mark your drill bit to the depth of your screws plus an allowance. Before you start drilling make sure that you clean the area. This will help ensure proper contact and make it safer to work around.



5 With your hammer drill and masonry bit, drill holes sized for your wall plugs to the depth marked on your drill bit.



6 Place plugs into the holes.



7 Align Wall Planter frame to holes and start to screw into the wall plugs. Using your screwdriver, fully tighten your screws.



8 Place the Planter box in the frame and align the holes to those on your Planter frame.



9 Using the nuts and bolts provided, secure the Planter box to the frame.

10 **A final check!** Make sure your Wall Planter is upright and has a solid connection and does not wobble when held.



If you have any issues installing your dual-purpose Wall Planter grab rail please contact Invisible Creations and we will be pleased to help.

To take care of your Wall Planter you only need a damp cloth to keep your Wall Planter clean. Do NOT use harsh chemicals. Check the nuts periodically to see if they need tightening.

INVISIBLE®

CREATIONS

01942 206004

hello@invisiblecreations.co.uk

www.invisiblecreations.co.uk

Invisible Creations is a brand of PROCare Shower & Bathroom Centre Ltd.



Invisible Creations at PROCare

Warranty Statement

Invisible Creations products by PROCare are covered by our 5-year warranty.

Where indicated, our 5-year warranty assures complete confidence in the quality of our products. Any product with the 5-year warranty assurance, that becomes defective by reason only of manufacturing workmanship will, at our discretion, be replaced free of charge. The liability under this warranty is limited to 'supply only' of the replacement product. Proof of purchase would be required in this event.

This warranty does not extend to normal wear and tear, product abuse, misuse, improper installation, damage by external causes or failures caused by operation of the equipment outside of that products specification.

Full terms and conditions are available from our website www.procare-ltd.co.uk.