



INVISIBLE<sup>®</sup>  
CREATIONS

Delivered in Partnership

**PROCare**

Wet Room & Bathroom Specialists

# Dual Purpose Grab Rail

## Toilet Roll Holder

CODE: 97-20017



### Assembly Instructions

1. Rest both brackets on a flat surface and ensure you have all of the pieces shown above.
2. Take the 32mm rail and place it between the brackets.
3. Insert one thread-locking bolt through the upper hole on the bracket and into the threaded hole on the rail.
4. Using the hex tool provided, tighten the bolt until it is flush with the bracket.
5. Repeat steps 3 & 4 on the opposite side.
6. Mark out fixing locations on the wall, drill holes if required, and install the item using appropriate fixings.
7. Ensure the product is safe for use after fixing to the wall.
8. Depress the telescopic toilet roll holder and place it in the lower hole of the bracket.

### General Safety Information

- Please ensure these instructions are fully read and implemented. Failure to do so may result in injury to the user. Retain these instructions in a safe place for future reference.
- This product must be correctly assembled, installed, and maintained.
- Non-rusting fixings should be used.
- The product must be installed by a competent professional onto a surface that is deemed suitable and structurally sound.
- Support rails can be slippery when wet, please use with caution.
- The product has been tested to a load of 160KG for 60-seconds in accordance with BS ISO 17966:2016.
- Should you see any damage during unpacking or suspect a fault, do not install the product and contact your supplier immediately.

**Get in touch**

01942 206 004

[www.invisiblecreations.co.uk](http://www.invisiblecreations.co.uk)

[www.procare-ltd.co.uk](http://www.procare-ltd.co.uk)

[hello@invisiblecreations.co.uk](mailto:hello@invisiblecreations.co.uk)



@invisiblecreations



INVISIBLE<sup>®</sup>  
CREATIONS

Delivered in Partnership

**PROCare**

Wet Room & Bathroom Specialists

# Dual Purpose Grab Rail

## Towel Rail

CODE: 97-20031



### Assembly Instructions

1. Rest both brackets on a flat surface and ensure you have all of the pieces shown above.
2. Take the 32mm rail and place it between the brackets.
3. Insert one thread-locking bolt through the upper hole on the bracket and into the threaded hole on the rail.
4. Using the hex tool provided, tighten the bolt until it is flush with the bracket.
5. Repeat steps 3 & 4 on the opposite side.
6. Follow steps 2 to 5 to fit the 25mm rail using the lower hole on the bracket.
7. Mark out fixing locations on the wall, drill holes if required, and install the item using appropriate fixings.
8. Ensure the product is safe for use after fixing it to the wall.

### General Safety Information

- Please ensure these instructions are fully read and implemented. Failure to do so may result in injury to the user. Retain these instructions in a safe place for future reference.
- This product must be correctly assembled, installed, and maintained.
- Non-rusting fixings should be used.
- The product must be installed by a competent professional onto a surface that is deemed suitable and structurally sound.
- Support rails can be slippery when wet, please use with caution.
- The product has been tested to a load of 160KG for 60-seconds in accordance with BS ISO 17966:2016.
- Should you see any damage during unpacking or suspect a fault, do not install the product and contact your supplier immediately.

**Get in touch**

01942 206 004

[www.invisiblecreations.co.uk](http://www.invisiblecreations.co.uk)

[www.procare-ltd.co.uk](http://www.procare-ltd.co.uk)

[hello@invisiblecreations.co.uk](mailto:hello@invisiblecreations.co.uk)



@invisiblecreations



INVISIBLE<sup>®</sup>  
CREATIONS

Delivered in Partnership

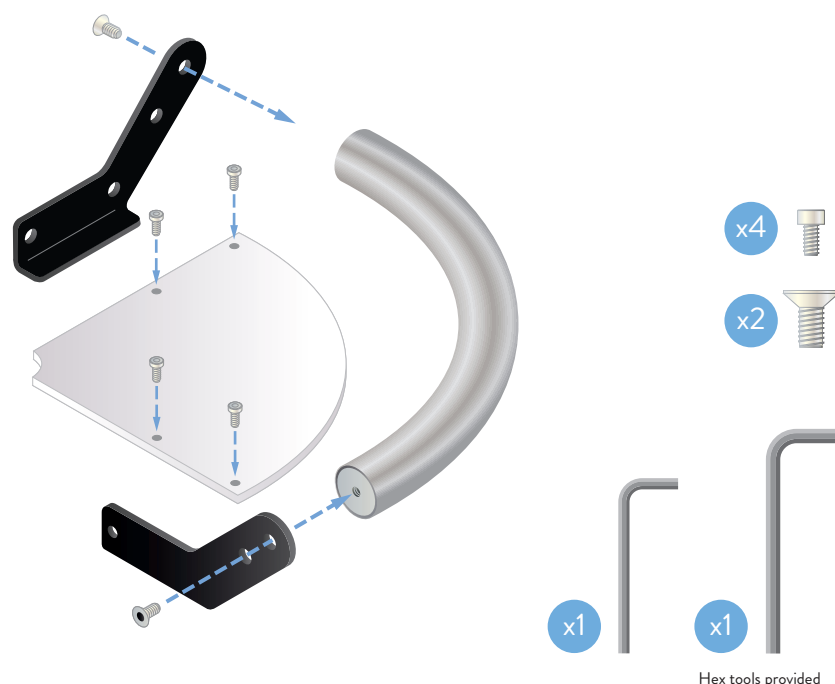
**PROCare**

Wet Room & Bathroom Specialists

# Dual Purpose Grab Rail

## Corner Shelf

CODE: 97-20002



### Assembly Instructions

1. Ensure you have all parts as shown above.
2. Fix the acrylic shelf to the brackets using the x4 small screws and hex tool provided.
3. Take the 32mm rail and place it between the brackets.
4. Insert one thread-locking bolt through the upper hole on the bracket and into the threaded hole on the rail.
5. Using the hex tool provided, tighten the bolt until it is flush with the bracket.
6. Repeat steps 4 & 5 on the opposite side.
7. Mark out fixing locations on the wall, drill holes if required, and install the item using appropriate fixings.
8. Ensure the product is safe for use after fixing it to the wall.

### General Safety Information

- Please ensure these instructions are fully read and implemented. Failure to do so may result in injury to the user. Retain these instructions in a safe place for future reference.
- This product must be correctly assembled, installed, and maintained.
- Non-rusting fixings should be used.
- The product must be installed by a competent professional onto a surface that is deemed suitable and structurally sound.
- Support rails can be slippery when wet, please use with caution.
- The product has been tested to a load of 160KG for 60-seconds in accordance with BS ISO 17966:2016.
- Should you see any damage during unpacking or suspect a fault, do not install the product and contact your supplier immediately.

**Get in touch**

01942 206 004

[www.invisiblecreations.co.uk](http://www.invisiblecreations.co.uk)

[www.procare-ltd.co.uk](http://www.procare-ltd.co.uk)

[hello@invisiblecreations.co.uk](mailto:hello@invisiblecreations.co.uk)



@invisiblecreations



INVISIBLE<sup>®</sup>  
CREATIONS

Delivered in Partnership

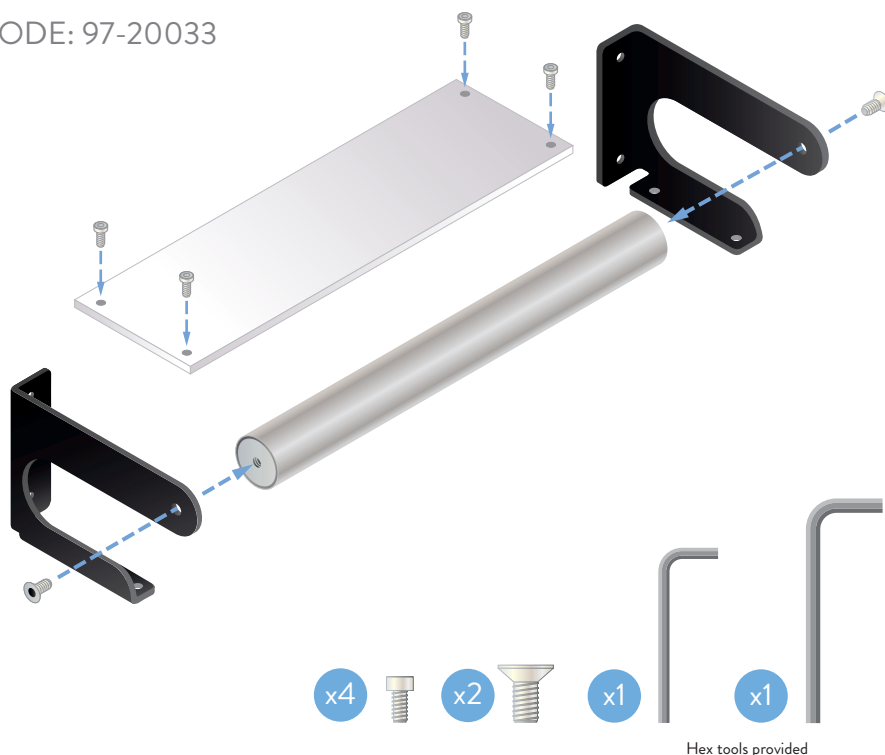
**PROCare**

Wet Room & Bathroom Specialists

# Dual Purpose Grab Rail

## Caddy

CODE: 97-20033



### Assembly Instructions

1. Ensure you have all parts as shown above.
2. Fix the acrylic shelf to the brackets using the x4 small screws and hex tool provided.
3. Take the 32mm rail and place it between the brackets.
4. Insert one thread-locking bolt through the hole in the bracket and into the threaded hole on the rail.
5. Using the hex tool provided, tighten the bolt until it is flush with the bracket.
6. Repeat steps 4 & 5 on the opposite side.
7. Mark out fixing locations on the wall, drill holes if required, and install the item using appropriate fixings.
8. Ensure the product is safe for use after fixing it to the wall.

### General Safety Information

- Please ensure these instructions are fully read and implemented. Failure to do so may result in injury to the user. Retain these instructions in a safe place for future reference.
- This product must be correctly assembled, installed, and maintained.
- Non-rusting fixings should be used.
- The product must be installed by a competent professional onto a surface that is deemed suitable and structurally sound.
- Support rails can be slippery when wet, please use with caution.
- The product has been tested to a load of 160KG for 60-seconds in accordance with BS ISO 17966:2016.
- Should you see any damage during unpacking or suspect a fault, do not install the product and contact your supplier immediately.

Get in touch

01942 206 004

[www.invisiblecreations.co.uk](http://www.invisiblecreations.co.uk)

[www.procare-ltd.co.uk](http://www.procare-ltd.co.uk)

[hello@invisiblecreations.co.uk](mailto:hello@invisiblecreations.co.uk)



@invisiblecreations



INVISIBLE<sup>®</sup>  
CREATIONS

Delivered in Partnership

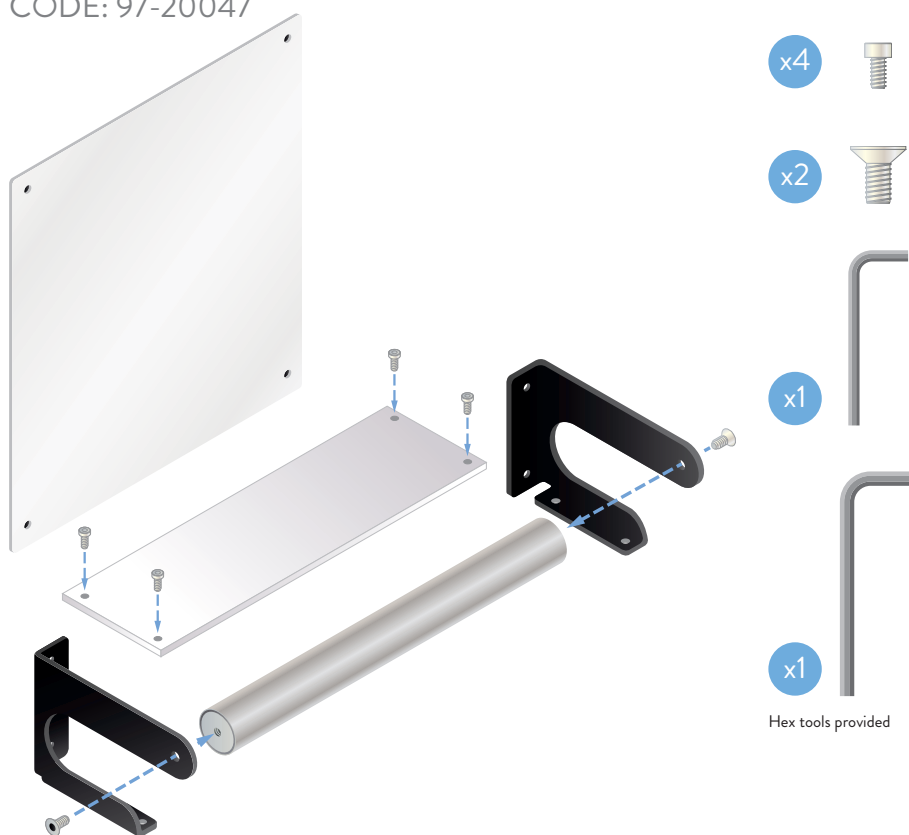
**PROCare**

Wet Room & Bathroom Specialists

# Dual Purpose Grab Rail

## Mirror Caddy

CODE: 97-20047



Hex tools provided

## Assembly Instructions

1. Ensure you have all parts as shown above.
2. **CADDY:** Fix the acrylic shelf to the brackets using the x4 small screws and hex tool provided. Take the 32mm rail and place it between the brackets. Insert one thread-locking bolt through the hole in the bracket and into the threaded hole on the rail. Using the hex tool provided, tighten the bolt until it is flush with the bracket. Repeat steps 4 & 5 on the opposite side. Mark out fixing locations on the wall, drill holes if required, and install the item using appropriate fixings. Ensure the product is safe for use after fixing it to the wall.
2. **MIRROR:** Mark out fixings on the wall, drill holes and install the item using appropriate fixings. Ensure the product is safe for use after fixing it to the wall.

## General Safety Information

- Please ensure these instructions are fully read and implemented. Failure to do so may result in injury to the user. Retain these instructions in a safe place for future reference.
- This product must be correctly assembled, installed, and maintained.
- Non-rusting fixings should be used.
- The product must be installed by a competent professional onto a surface that is deemed suitable and structurally sound.
- Support rails can be slippery when wet, please use with caution.
- The product has been tested to a load of 160KG for 60-seconds in accordance with BS ISO 17966:2016.
- Should you see any damage during unpacking or suspect a fault, do not install the product and contact your supplier immediately.

**Get in touch**

01942 206 004

[www.invisiblecreations.co.uk](http://www.invisiblecreations.co.uk)

[www.procare-ltd.co.uk](http://www.procare-ltd.co.uk)

[hello@invisiblecreations.co.uk](mailto:hello@invisiblecreations.co.uk)



@invisiblecreations



INVISIBLE<sup>®</sup>  
CREATIONS

Delivered in Partnership

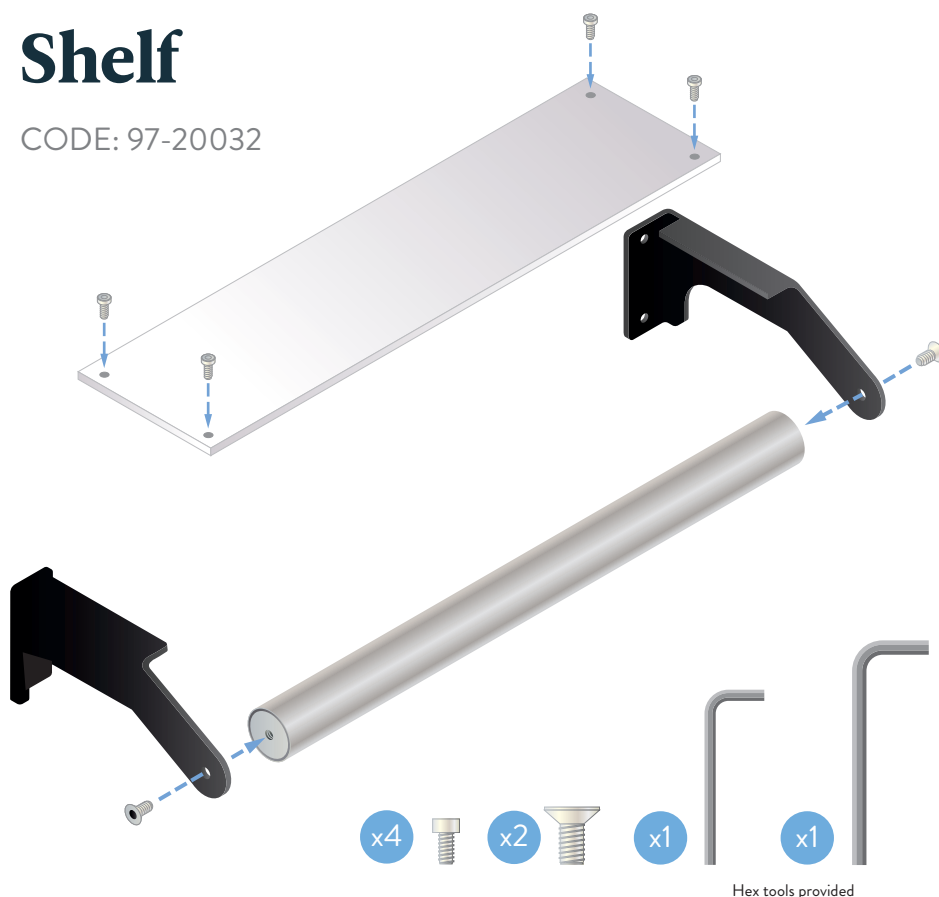
**PROCare**

Wet Room & Bathroom Specialists

# Dual Purpose Grab Rail

## Shelf

CODE: 97-20032



## Assembly Instructions

1. Ensure you have all parts as shown above.
2. Fix the acrylic shelf to the brackets using the x4 small screws and hex tool provided.
3. Take the 32mm rail and place it between the brackets.
4. Insert one thread-locking bolt through the hole in the bracket and into the threaded hole on the rail.
5. Using the hex tool provided, tighten the bolt until it is flush with the bracket.
6. Repeat steps 4 & 5 on the opposite side.
7. Mark out fixing locations on the wall, drill holes if required, and install the item using appropriate fixings.
8. Ensure the product is safe for use after fixing it to the wall.

## General Safety Information

- Please ensure these instructions are fully read and implemented. Failure to do so may result in injury to the user. Retain these instructions in a safe place for future reference.
- This product must be correctly assembled, installed, and maintained.
- Non-rusting fixings should be used.
- The product must be installed by a competent professional onto a surface that is deemed suitable and structurally sound.
- Support rails can be slippery when wet, please use with caution.
- The product has been tested to a load of 160KG for 60-seconds in accordance with BS ISO 17966:2016.
- Should you see any damage during unpacking or suspect a fault, do not install the product and contact your supplier immediately.

**Get in touch**

01942 206 004

[www.invisiblecreations.co.uk](http://www.invisiblecreations.co.uk)

[www.procare-ltd.co.uk](http://www.procare-ltd.co.uk)

[hello@invisiblecreations.co.uk](mailto:hello@invisiblecreations.co.uk)



@invisiblecreations